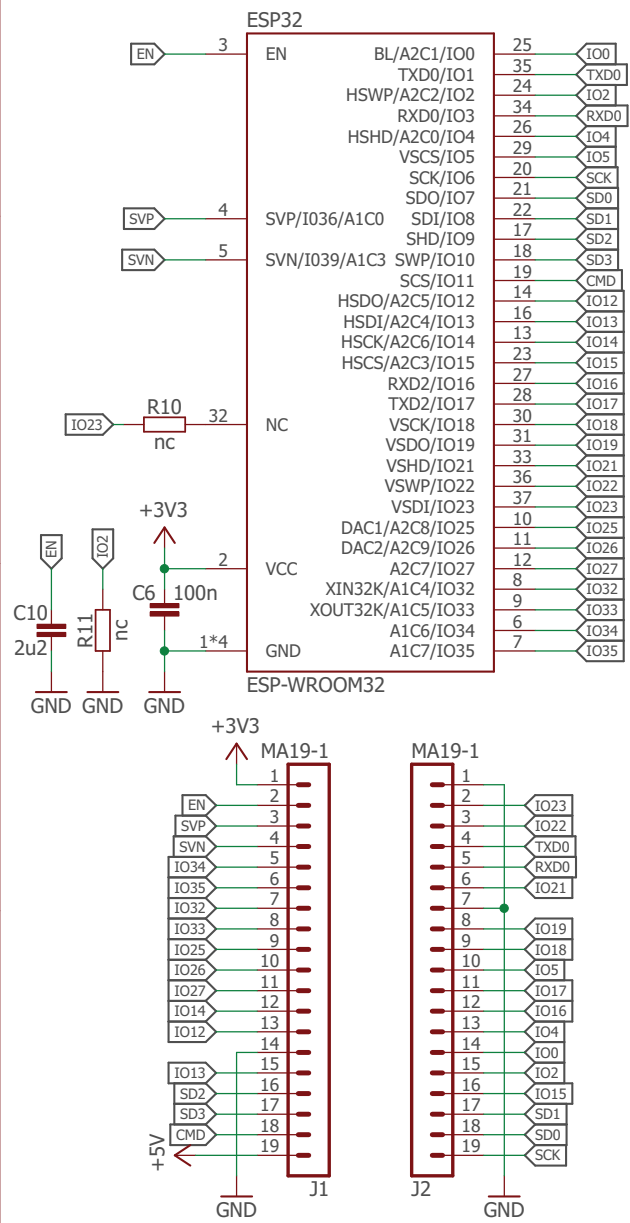
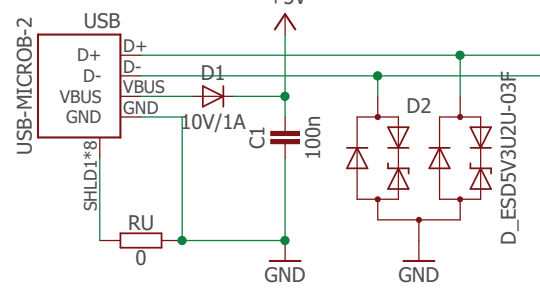


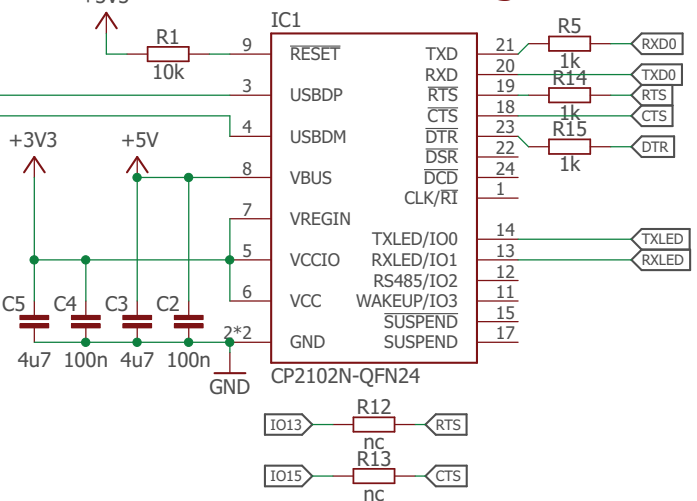
# ESP-WROOM-32



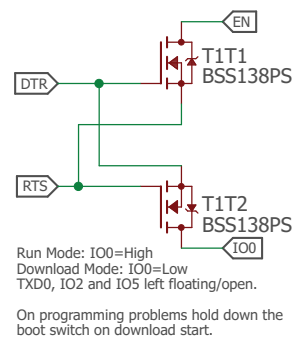
## Micro-USB



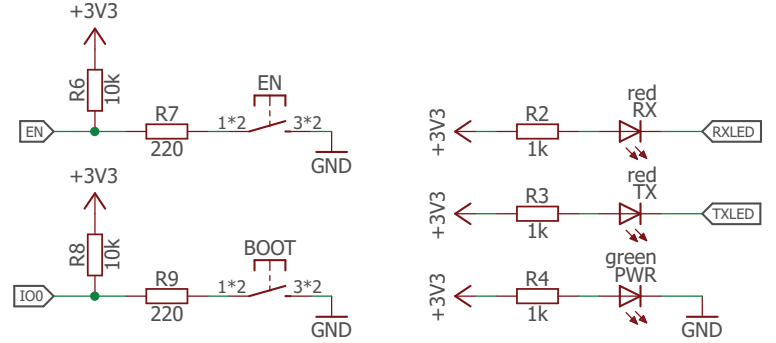
## USB-UART-Bridge



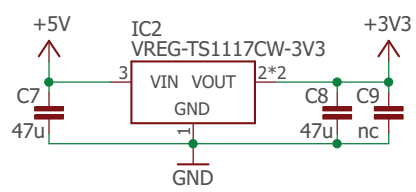
## Programming Logic



## Switches and Status LEDs



## 3V3 Regulator



Released under the Creative Commons Attribution Share-Alike License <http://creativecommons.org/licenses/by-sa/4.0/>

Designed by Andreas Watterott (Watterott electronic)  
 Inspired by the Espressif ESP32-DevKitC - <http://espressif.com>



<a href="http://www.watterott.com">www.watterott.com</a>
ESP-WROOM32-Breakout_v1.1
16.11.2016 19:00:25
Sheet: 1/1

